

# LMIR SERIES Indoor Lighting

LMIR-18R-32D-MCT-DF  
ROUND LED MIRRORS AND CABINET

**MCT** Multi Color Temperature (Selectable)

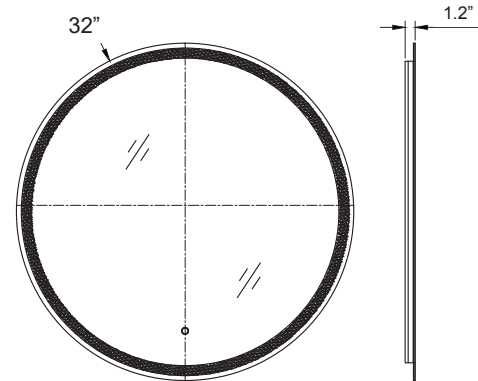
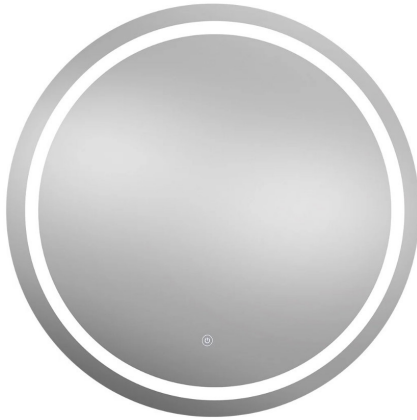
**WESTGATE**  
THE FUTURE IS HERE...AND IT'S QUITE BRIGHT!

Customer Name: \_\_\_\_\_

Project Name: \_\_\_\_\_

Note: \_\_\_\_\_

Type: \_\_\_\_\_



32"(D) x 1.2"(W)

LED Mirrors And Cabinet Dimming With Defogger Feature Ideal for office, Retail Store, Showroom, Residential applications and Damp environment lighting applications.

## Features

- Frontlit (Bar Pattern)
- Touch Sensor Switch
- Finish: Aluminium Frame
- 5mm Copper Free Silver Mirror
- MCT: Brightness & CCT Touch Buttons Located on The Mirror

## Technical Specifications

### Electrical:

- Voltage: 120V AC 50Hz
- Wattage: 48W
- Power Factor: >0.95
- Total Harmonic Distortion:  $\leq 20\%$
- Efficacy: 70 LPW

### Mechanical:

- Finish: Aluminium Frame
- Frontlit (Bar Pattern)
- Touch Sensor Switch
- Demister Pad
- IP44, Indoor Use only
- Operating Temperature:  $-22^{\circ}\text{F}$  to  $104^{\circ}\text{F}$
- 5-Year Warranty

### Touch Buttons Instructions:

- On/Off: short press the touch button to turn on or off the light and relay at the same time
- Color temperature adjustment: When the light is on, short press the touch button to switch the color temperature, and the settings will be stored in the memory
- Dimming: when the light is on, long press (hold) the touch button to adjust the brightness, stepless non-cyclic adjustment of light brightness

### Lighting:

- Multi-CCT: Brightness & CCT Touch Buttons Located on The Mirror
- Total Lumens: 3360LM
- Color Temperatures: 3000K/4500K/6500K
- Color Rendering Index: CRI  $\geq 90$
- 50,000 Hours Rated Life

### Applications:

- LED Mirrors And Cabinet Dimming With Defogger Feature Ideal for Office, Retail Store, Showroom, Residential Applications and Damp Environment Lighting Applications

• 44W | LMIR-18-2436-MCT-DF

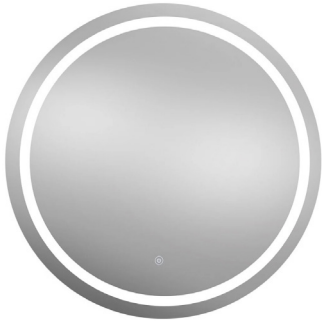


Phone: (877) 805-2252 | Fax: (877) 805-2252  
www.westgatemfg.com |



WG-ZB-26-2Z

## Other Views:



Front View



Back View



Mounted View

## Performance Table: LMIR-18R-24D-MCT-DF

MODEL NO.	Wattage	Voltage	Lumens	Color Temp	LPW
LMIR-18R-32D-MCT-DF	30W	120V	3360LM	3000K 4500K 6500K	70

## Sample Ordering

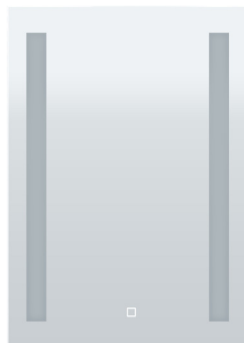
**Model**    **Size**    **Dimension**    **Color Temp.**    **Function**

LMIR - 18R - 32D - MCT - DF

## Other Model: LMIR-36-2028-MCT-DF



Side View



Front View



Mounted View